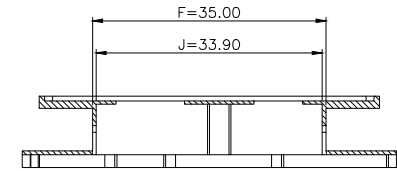
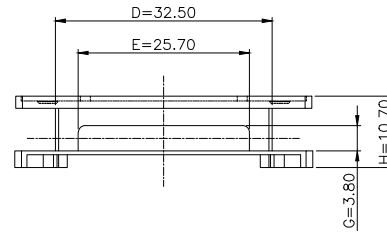
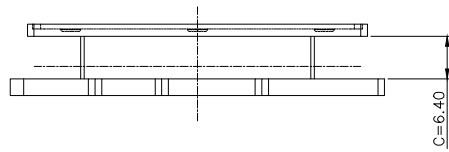
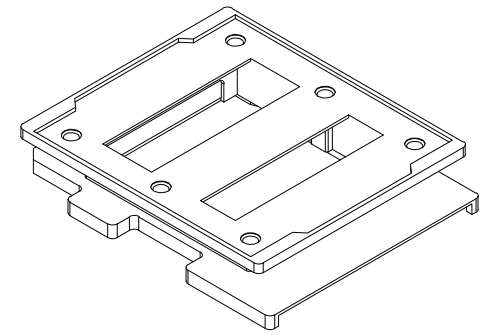
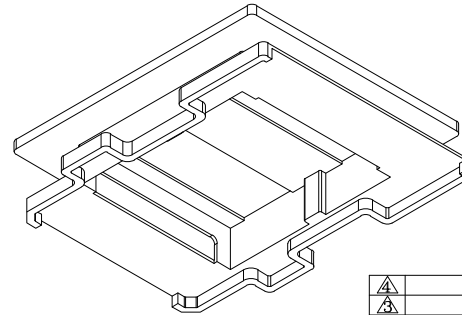
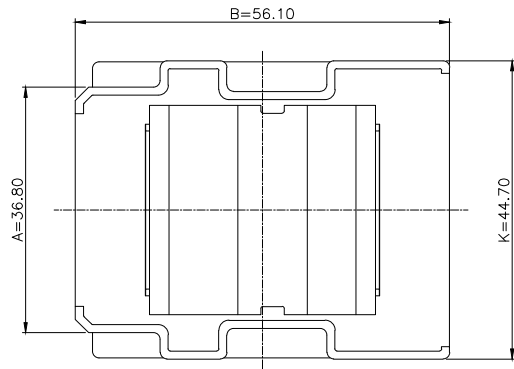


SECTION B-B



SECTION A-A



▲									
▲									
▲									
▲									
MARK	REVISION NOTE				DATE	DRAWN	CHECKED	APPROVED	
	DRAWN	CHECKED	APPROVED	MATERIAL : P.E.T	UL REC. : UL94V-0	THIRD ANGLE PROJ.	SCALE : 1/1		
	Sang Han, Kim	Hyoung Seok, Lee	Chul, Park		DATE : 2010.06.23	TOLERANCE : ±0.2 (Unless otherwise specified)	UNT : m/m		
	주식회사 대흥보빈 DAE HEUNG BOBBIN CO., LTD				TITLE EFD 45*49 2F CAP		DWG NO DH-101001-8605-01		